

USER GUIDE

HEATING PLATES

3113400, 3113500, 3113600, 3112800



**Heating plate without raised edge
Models 3113400, 3113500, 3113600**



**Heating plate with raised edge
Model 3112800**

**Hallins Sales AB
Fabriksvägen 1
S-599 33 ÖDESHÖG**

**+46-(0)144-15300
support@hallins.com**

Doc. No: Heatingplate ENG
Edition: 1.0
Date: 2019-01

	PAGE
TABLE OF CONTENTS	2
1. INTRODUCTION	3
2. CONFORMITY TO EU DIRECTIVES	3
3. INTENDED USE AND TECHNICAL DATA	3
4. GUARANTEE	3
5. USE	4
6. SAFETY	5
7. CLEANING	6
8. MAINTENANCE	6
9. FAULT TRACING	6
10. RECYCLING	6
11. SPARE PARTS LIST	7
12. APPENDICES	
12.1 Electrical wiring diagram	8
12.2 Declaration of conformity	9

1. INTRODUCTION

Congratulations on your purchase of a HALLINS heating plate. Carefully read through the User Guide and safety instructions before using for the first time. Save the User Guide so it is close at hand when needed, or if the heating plate is given away.

IT IS VERY IMPORTANT THAT YOU READ AND UNDERSTAND THE INSTRUCTIONS BEFORE USING THE HEATING PLATE. IF YOU HAVE ANY QUESTIONS – CONTACT YOUR SUPPLIER.

2. DECLARATION OF CONFORMITY

The product stated below is CE-marked and accordingly declared to be in conformity with the fundamental demands concerning function and safety as set out in applicable EMC and low voltage directives. A separate declaration of conformity is enclosed.

3. INTENDED USE AND TECHNICAL DATA

The Hallins heating plates are designed to keep hot food in appropriate receptacles hot, in homes, restaurants and catering kitchens. They are not intended for the preparation of food or heating other objects or materials. Usage for other purposes may only be carried out after approval from Hallins.

The heating plate is to be used indoors, under normal conditions found in homes, restaurants and catering kitchens.

Models:

Designation	Size L * W * H	Design	Power, W
3113400	600 * 400 * 70	Without raised edge	600
3113500	800 * 400 * 70	Without raised edge	750
3113600	800 * 600 * 70	Without raised edge	900 (2x450)
3112800	600 * 400 * 70	With raised edge	300

Voltage: 1-phase, 220-240 V, 50-60 Hz
Variable thermostat control 0-100/120 °C.

4. GUARANTEE

In accordance with the guarantee conditions in NL-01, the manufacturer repairs all defects that can be attributed to manufacturing or material faults at no charge, and which occur within twentyfour (24) months from delivery. For detailed conditions, see NL-01.

In order for the guarantee to be valid, maintenance must have been carried out in accordance with the instructions. This guarantee does not cover normal maintenance, settings or regular adjustments as set out in the instructions. Neither does the guarantee cover labour charges associated with such actions.

Misuse or incorrect usage of the equipment results in the termination of the guarantee.

5. USE

Before using for the first time

Clean the heating plate after unpacking using a clean cloth, hot water and a little detergent. NEVER USE A SCOURING AGENT OR ANY OTHER KIND OF ABRASIVE AGENT.

The heating plate can be used to keep food hot in a suitable area where there is an earthed, 1-phase electrical socket.

First connect the plug in the earthed electrical socket and then switch on the power switch, position (I). The lamp in the switch then comes on. The lamp indicates that the heating plate is connected to the mains supply, and that the heating plate is heating up. The required heating level can be varied as needed using the variable thermostat control.

When you have finished using the heating plate, switch off the power using the power switch and then remove the plug from the electrical socket.

Choosing a receptacle

- Only choose receptacles that withstand heating to a minimum of 120 °C. Glass or ceramic receptacles should be “heat-resistant”.
- Check the bottom of the receptacle. Receptacles with a convex bottom (curve outwards), turn easily on the heating plate and give poor thermal contact.
- To save energy the bottom of the receptacle should be flat. A bottom that curves too much inwards or outwards gives poor heat retaining characteristics.

Save energy!

- Use a lid and you will reduce energy consumption, compared to not using a lid.
- Use a receptacle with a flat bottom and save energy.
- Ensure that the plate is clean and dry. Dirt impairs the thermal transfer between the receptacle and plate.
- Switch off the plate when there is no need of heating. Do not allow the heating plate to be routinely in operation.

6. SAFETY

- Never leave the heating plate unsupervised when in use. Pay particular attention if children or persons that need to be supervised are in the vicinity of the heating plate.
- Only connect the heating plate to a professionally installed electrical socket with an earthed plug. The mains voltage and frequency must correspond with the data on the type plate.
- Always remove the plug from the wall socket after use, as the heating plate remains voltage fed as long as the plug is in the wall socket – even when switched off. The plug must be removed from the wall socket before cleaning, during service work, and when operating disturbances occur.
- Never remove the plug by pulling the flex.
- Do not place the heating plate on hot or wet surfaces. The surface must be heat-resistant.
- Do not allow the heating plate to come into contact with water when the electrical plug is connected to the wall socket.
- Receptacles that curve outwards give poor thermal contact and turn easily on the heating plate.
- The heating plate becomes hot when in use. Exercise care when in the vicinity of it. Remember that the receptacle and its contents also become hot.
- Check that the heating plate is switched off when not in use.
- Warning! Alcohol and the like, which can form explosive gases or other substances that can result in fire or explosion, must not be used on the heating plate.
- Remember that long-term heating can result in the development of bacteria in the contents of the receptacle. Hallins bears no responsibility for the quality of receptacles and their contents.
- By nature children are curious and interested in most things, even heating plates. By all means let children of a suitable age help when using the heating plate, but teach them receptacles, heating plates and ovens become very hot and retain their heat for some time after use. **CONTACT CAN RESULT IN BURNS!** Do not allow children to handle the heating plate.
- Always wear protective gloves when handling hot receptacles or a hot heating plate.
- Never place the heating plate in the vicinity of easily combustible materials, for example, curtains.
- Work on the heating plate should only be performed by **SKILLED PROFESSIONALS**. Work carried out by layman can impair the function of the heating plate, and cause personal injury and/or damage to property.
- Do not place paper, plastic or the like on the heating plate. Heat development can cause the paper/plastic to burn/melt.
- Never leave receptacles with inflammable contents unattended. In the event of fire, pull out the plug from the wall socket. **QUELL THE FIRE WITH THE LID**, never use water to extinguish a fire.
- You must immediately (while the heating plate is still hot) wipe off sugar and substances with a high sugar content that have boiled over, for example, marmalade, and melted plastic and foil in order not to damage the heating plate.
- Only use original spare parts.

7. CLEANING

It is very important to follow the recommended description when cleaning as the heating plate contains electrical components.

WARNING! Under no circumstances may the heating plate be connected to the mains supply when cleaning.

WARNING! Large risk of burns if cleaning is performed before the heating plate has cooled!

Always remove the plug from the electrical socket before cleaning. Clean the heating plate using a clean cloth, hot water and a little detergent. NEVER USE A SCOURING AGENT OR ANY OTHER KIND OF ABRASIVE AGENT.

WARNING! Under no circumstances may the heating plate be rinsed off with water.

8. MAINTENANCE

In order for your heating plate to work in the best possible way, it is important to perform regular maintenance in accordance with the following.

Each day

1. Clean the heating plate with a damp cloth in accordance with the cleaning instructions.
2. Check that the heating plate's electrical components and flex holder are free from defect.

9. FAULT TRACING

The heating plates from HALLINS are designed and tested to reach optimal operating reliability and life span, under the condition that maintenance has been carried out in accordance with the stated instructions. If despite this a problem should occur, use the fault tracing table below to obtain relevant guidance.

If the problem remains after taking the actions described in the table below you should contact a service centre or your supplier.

Symptom	Actions
The heating plate does not heat up	A Check that the power switch is switched on.
	B Check that the flex holder is connected to the mains supply and to the heating plate in those cases this is removable.
	C Check that the flex holder has not been damaged.
	D Check that the main fuse has not blown.

10. RECYCLING

Contact your local government offices for information about where you can deposit the heating plate for recycling.

11. SPARE PARTS LIST

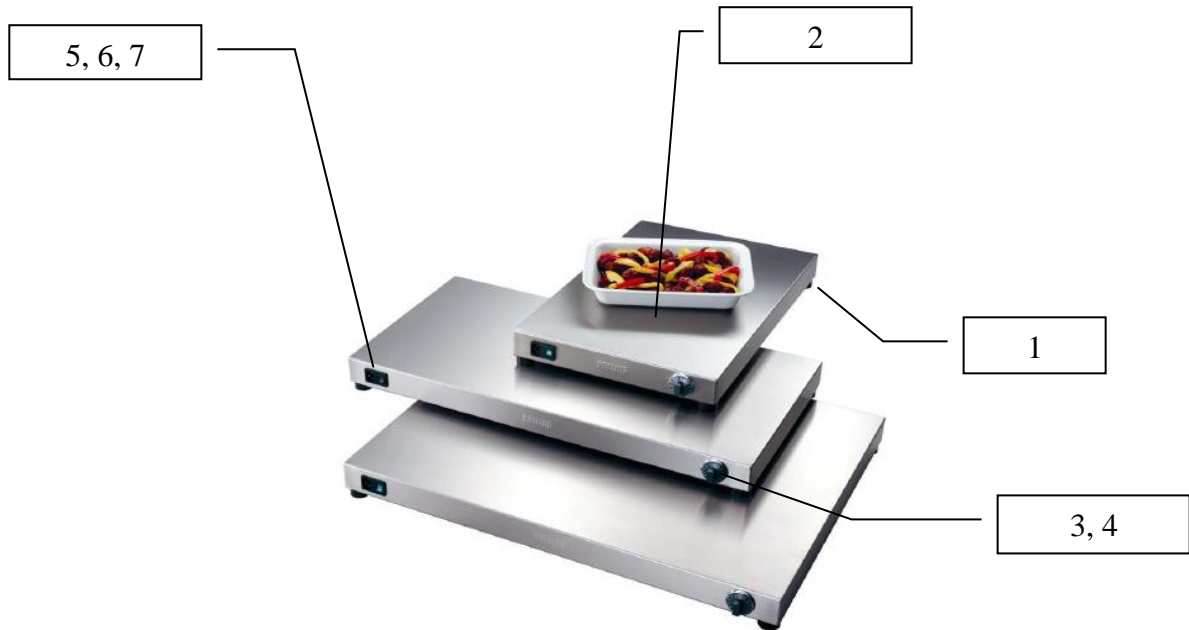
If any part does not seem to work or breaks, contact your supplier.
 Service and repairs may only be performed by qualified personnel. Only use original spare parts.

When ordering service or spare parts you need to know the product number and model designation stated on the data plate. Note them here so that they are close at hand when needed.

Model:.....
 Prod. No:.....
 Ser. No:.....
 Date of purchase:.....

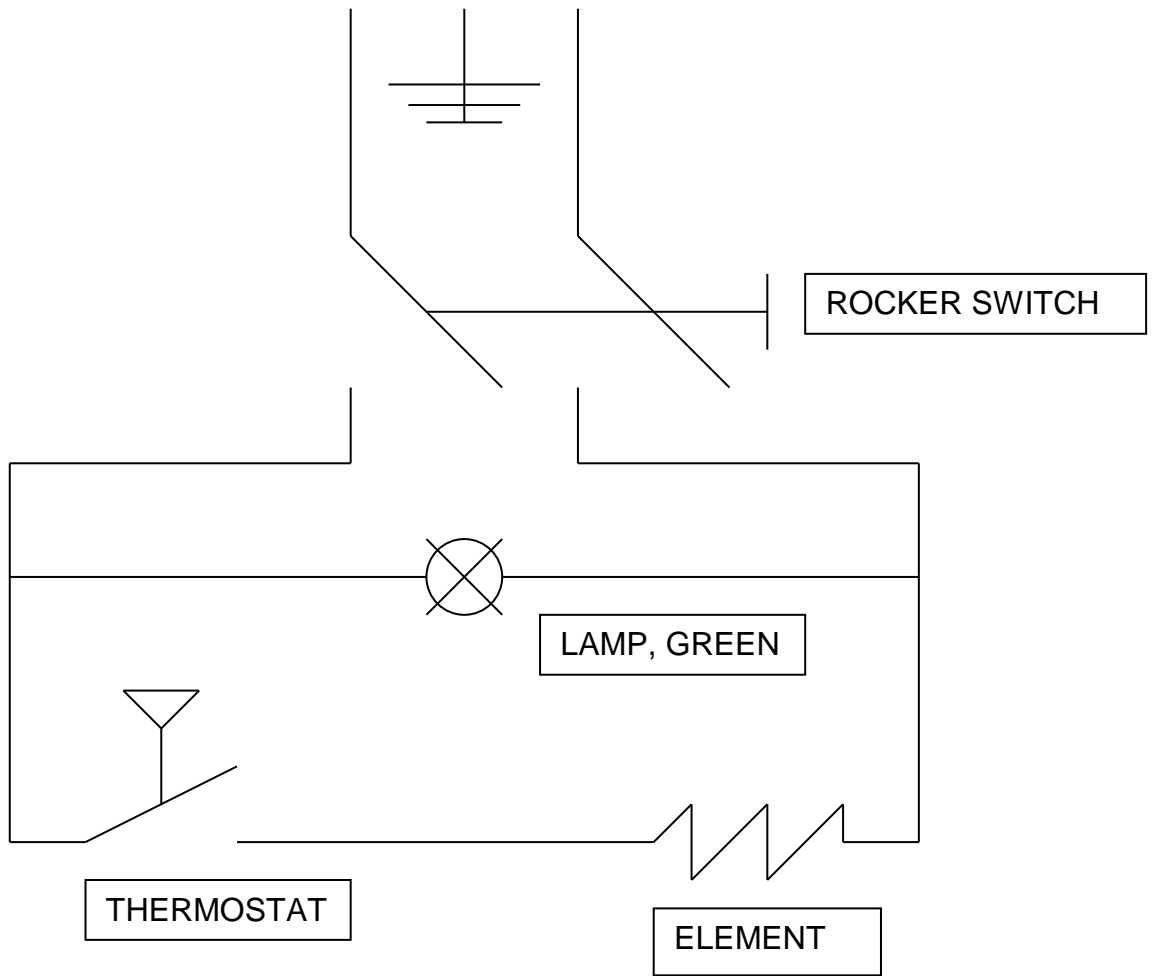
Pos	Part no.	Description
1	80012-01	Black basefoot 35x14.
2	50001-01	Element 600W/220V 520x250
3	51006-20	Thermostat 0-100 °C
4	51002-01	Control/knob with screw for 60.210.1

Pos	Part no.	Description
5	52206-01	Flex holder
6	52200-03	Appliance inlet
7	52207-01	Fuse for appliance inlet



12.1 ELECTRICAL WIRING DIAGRAM

VOLTAGE: 240V, 50Hz



12.2 DECLARATION OF CONFORMITY



Declaration of conformity according to
the revised low voltage directive and the EMC directive.

Manufacturer: **Hallins Sales AB**
Fabriksvägen 1
SE-599 33 ÖDESHÖG
SWEDEN

Product: **Heating plate**

Model number: **3113400, 3113500, 3113600, 3112800**

Serial number: _____

Order number: _____

We declare under sole responsibility that the product is in conformity with the requirements set out in the revised low voltage directive No. 73/23/EEC and the EMC directive No. 89/336/EEC.

ÖDESHÖG 19/01/2006

Hallins Sales AB

Tommy Hallin, MD